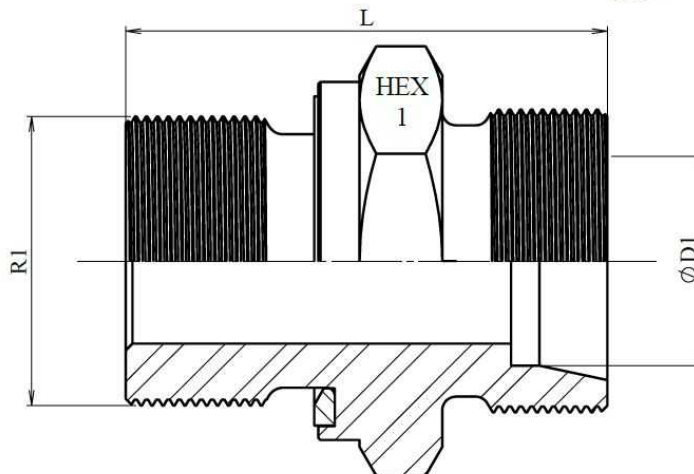
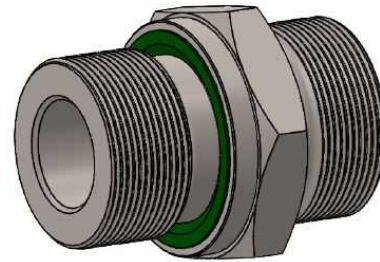


Straight male stud coupling BSP cylindrical with captive seal, only body

Stainless Steel AISI 316-L



Part n°	ØD1	Serie	R1	Working Pressure (bar)	L	HEX 1
Z STA AL 6 R 1/8WD	6	L	1/8" BSP	315	23,5	14
Z STA AL 6 R 1/4WD	6	L	1/4" BSP	315	29	19
Z STA AL 8 R 1/8WD	8	L	1/8" BSP	315	24	14
Z STA AL 8 R 1/4WD	8	L	1/4" BSP	315	28	19
Z STA AL 8 R 3/8WD	8	L	3/8" BSP	315	29,5	22
Z STA AL 10 R 1/8WD	10	L	1/8" BSP	315	25,5	17
Z STA AL 10 R 1/4WD	10	L	1/4" BSP	315	30	19
Z STA AL 10 R 3/8WD	10	L	3/8" BSP	315	31,5	22
Z STA AL 10 R 1/2WD	10	L	1/2" BSP	315	33	27
Z STA AL 12 R 1/4WD	12	L	1/4" BSP	315	31	19
Z STA AL 12 R 3/8WD	12	L	3/8" BSP	315	31,5	22
Z STA AL 12 R 1/2WD	12	L	1/2" BSP	315	34	27
Z STA AL 15 R 3/8WD	15	L	3/8" BSP	315	32,5	24
Z STA AL 15 R 1/2WD	15	L	1/2" BSP	315	35	27
Z STA AL 15 R 3/4WD	15	L	3/4" BSP	315	38	32
Z STA AL 18 R 3/8WD	18	L	3/8" BSP	315	33,5	32
Z STA AL 18 R 1/2WD	18	L	1/2" BSP	315	36	27
Z STA AL 18 R 3/4WD	18	L	3/4" BSP	315	38	32
Z STA AL 22 R 1/2WD	22	L	1/2" BSP	160	38	32
Z STA AL 22 R 3/4WD	22	L	3/4" BSP	160	40	32
Z STA AL 22 R 1WD	22	L	1" BSP	160	43	41
Z STA AL 28 R 3/4WD	28	L	3/4" BSP	160	41	41
Z STA AL 28 R 1WD	28	L	1" BSP	160	43	41
Z STA AL 35 R 1WD	35	L	1" BSP	160	46	50
Z STA AL 35 R 1 1/4WD	35	L	1" 1/4 BSP	160	48	50
Z STA AL 42 R 1 1/2WD	42	L	1" 1/2 BSP	160	52	55
Z STA AS 6 R 1/4WD	6	S	1/4 BSP	630	33	19

Straight male stud coupling BSP cylindrical with captive seal, only body

Stainless Steel AISI 316-L

Part n°	ØD1	Serie	R1	Working Pressure (bar)	L	HEX 1
Z STA AS 8 R 1/4WD	8	S	1/4 BSP	630	34	19
Z STA AS 8 R 3/8WD	8	S	3/8" BSP	630	34,5	22
Z STA AS 10 R 1/4WD	10	S	1/4" BSP	630	34	19
Z STA AS 10 R 3/8WD	10	S	3/8" BSP	630	34,5	22
Z STA AS 10 R 1/2WD	10	S	1/2" BSP	630	37	27
Z STA AS 12 R 1/4WD	12	S	1/4" BSP	630	35	22
Z STA AS 12 R 3/8WD	12	S	3/8" BSP	630	36,5	22
Z STA AS 12 R 1/2WD	12	S	1/2" BSP	630	39	27
Z STA AS 14 R 3/8WD	14	S	3/8" BSP	630	39	27
Z STA AS 14 R 1/2WD	14	S	1/2" BSP	630	41	27
Z STA AS 16 R 3/8WD	16	S	3/8" BSP	400	38,5	27
Z STA AS 16 R 1/2WD	16	S	1/2" BSP	400	42	27
Z STA AS 16 R 3/4WD	16	S	3/4" BSP	400	43	32
Z STA AS 20 R 1/2WD	20	S	1/2" BSP	400	45	32
Z STA AS 20 R 3/4WD	20	S	3/4" BSP	400	47	32
Z STA AS 25 R 3/4WD	25	S	3/4" BSP	400	51	41
Z STA AS 25 R 1WD	25	S	1" BSP	400	54	41
Z STA AS 30 R 1WD	30	S	1" BSP	400	55	46
Z STA AS 30 R 1 1/4WD	30	S	1" 1/4 BSP	400	57	50
Z STA AS 38 R 1 1/4WD	38	S	1" 1/4 BSP	315	62	55
Z STA AS 38 R 1 1/2WD	38	S	1" 1/2 BSP	315	64	55